



FLOOR STANDING GAS CONDENSING BOILER

The Most Advanced, Compact, Efficient Gas  
Condensing Boiler

## **VITOCROSSAL 200,CI2**



**Mission-critical technology  
for large custom residential,  
and both light and  
demanding commercial  
applications**

Compact and highly  
efficient boiler, with simple  
installation.

Self calibrating technology automatically adjusts to fuel quality, retaining highest in class efficiencies.



Vitocrossal 200 CI2 units can be hydronically cascaded for customizable solutions.

The Vitocrossal 200, CI2 is a versatile central heating boiler offering a highly efficient solution for custom residential, as well as various commercial applications. With 6 sizes ranging from 399 - 2,000 MBH, this gas-condensing unit can be cascaded for needs up to 32,000 MBH.

#### Well-suited For Tight Commercial Spaces

The Vitocrossal 200, CI2 is only 27 inches (68 cm) wide without jacket, fitting through any standard door, and is particularly recommended for modernization. Compact dimensions facilitate the replacement of old systems even in tight spaces, requiring a footprint of less than 9.9ft<sup>2</sup>. A re-designed heat exchanger provides the same reliability and efficiency while reducing overall size by over 30%, yet still maintaining class-leading water mass and low pressure drop. The CI2 is entirely serviceable from the front and back, and thus can be installed side by side as allowed by local and state requirements. Integrated cascade controller and BMS gateway (optional) contribute to further space saving in the mechanical room.

#### Easy Installation and Maintenance

Fast installation and reduced maintenance come standard with the integrated Lambda Pro<sub>2</sub> with Self Calibrating Active O<sub>2</sub> Trim control management system to ensure consistently high and efficient combustion quality with low emissions. Lambda Pro<sub>2</sub> with Self Calibrating Active O<sub>2</sub> Trim automatically adjusts to multiple vent options and lengths, gas type and quality right out of the box; no calibration required.

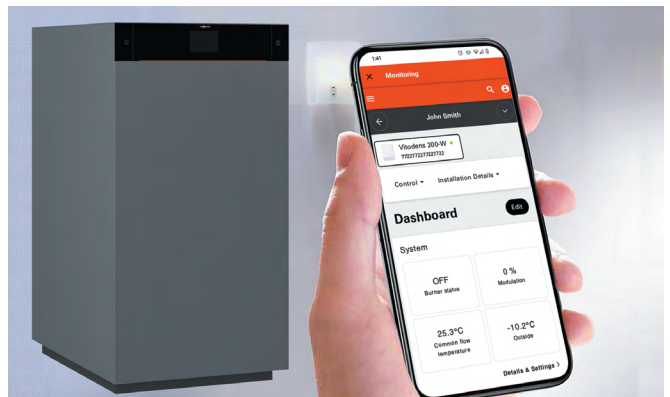
Integrated rollers and easy transport pallet with a ramp allow transport

of the boiler to any installation site with no lifting gear required when brought in at ground level.

#### Simplified Commissioning, Remote Monitoring and Trouble Shooting

The Vitocrossal 200, CI2 features a 7-inch touchscreen interface for easy commissioning, status reporting, and diagnostics. The integrated LAN and WiFi interface, allows the system to connect directly to the internet for seamless integration with the ViGuide\* ecosystem with onsite and remote connectivity via smartphone or tablet. ViGuide\* offers guided commissioning of the boiler, eliminating complex manual parameter settings, and allows remote viewing of the system for timely repairs.

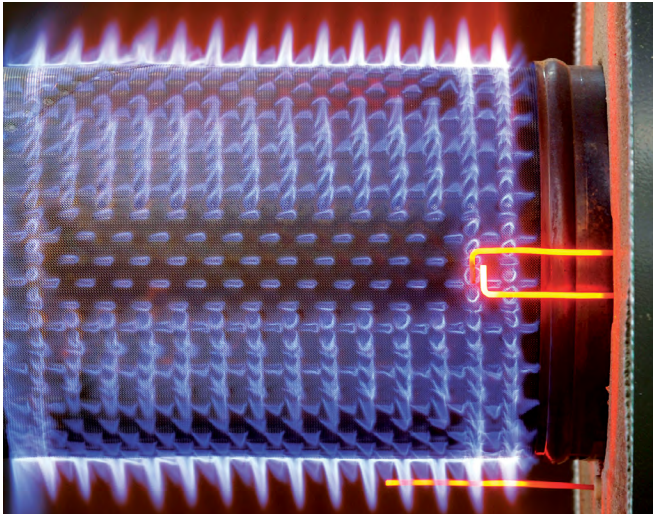
\*Formerly Vitoguide



### MatriX Burner:

#### Ultra Efficient and Clean Combustion

The Viessmann-made modulating MatriX cylinder burner offers extremely clean combustion with up to a 30:1 turndown ratio, and meets Low NOx requirements.



Low-emission, Viessmann-made MatriX cylinder burner

#### BENEFITS AT A GLANCE

- + Integrated Valve Proving System (VPS) for all sizes
- + Up to 98% thermal efficiency, the highest degree of utilization in its class with cleaner combustion and lower costs
- + Highest water volume in class; no primary boiler pump required
- + Efficient combustion control with Lambda PrO<sub>2</sub> with Self Calibrating Active O<sub>2</sub> Trim Technology; realtime O<sub>2</sub> trim, fuel conversion and altitude adjustment with push of a button
- + High operational reliability and long service life with corrosion-resistant Inox-Crossal stainless steel heat exchange; class leading low pressure drop and thermal efficiency
- + Up to 30:1 modulating MatriX cylinder burner ensures long, uninterrupted operation; meets Low NOx certification
- + Cascading of up to 16 devices possible (up to 32,000 MBH)
- + Viessmann One Base enables control via ViGuide\* app and use of digital services
- + Compact dimensions and small footprint allows for optimal side by side installation even in the tightest spaces
- + Built-in features to allow for easy mobility
- + Convenient servicing - all components are accessible from the front and back of unit
- + External wall mounted Gateway or DIN rail mounted Gateway for up to 8 boilers per gateway. Modbus ICP, Modbus RTU, Bacnet IP, and Bacnet MSTP
- + Utilizes CANbus communication between boilers and gateway system without complex wiring

\*Formerly Vitoguide

Warranty information is available at [viessmann-us.com/warranty](http://viessmann-us.com/warranty)

### Stainless Steel Inox-Crossal Heat Exchanger:

#### Efficient and Reliable

The Vitocrossal 200, CI2 is equipped with a stainless steel Inox-Crossal heat exchanger designed to stand up to the toughest of water conditions. Developed and manufactured by Viessmann, this high-quality stainless steel component maximizes performance and reliability.

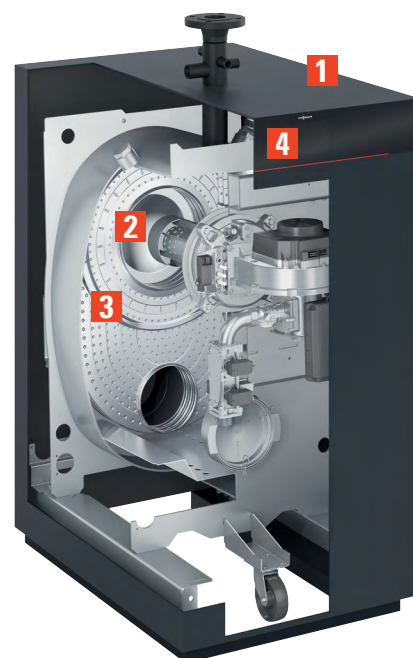
#### Clean, Contemporary Design

Featuring a 7-inch color touchscreen HMI with owner dashboard and service technician screens (available in three languages), the CI2 intuitively displays DHW scheduling, multi-zone controls, constant circulation controls and recirculation modes, and gas consumption data with just a few taps.

The pulsating Vitorange "light guide" signals operation status at a glance for an aesthetically pleasing operational function. Viessmann's new Vitographite exterior color with Diamond Edge design completes the CI2's appealing, high-quality appearance.

#### STANDARD EQUIPMENT INCLUDES

- + Pressure Relief Valve (80 psi)
- + Temperature and Pressure Gauge
- + Low Water Cut Off
- + Air Vent
- + Boiler Drain Valve
- + Gas Supply Ball Valve
- + Outdoor Temperature Sensor



### VITOCROSSAL 200, CI2 399-2000 MBH

#### Internet Capable

- 1 Viessmann One Base Control Platform
- 2 MatriX Cylinder Burner with Self Calibrating Active O<sub>2</sub> Trim
- 3 Inox-Crossal Heat Exchanger
- 4 7" color touchscreen display

Actual product may vary from illustrated image



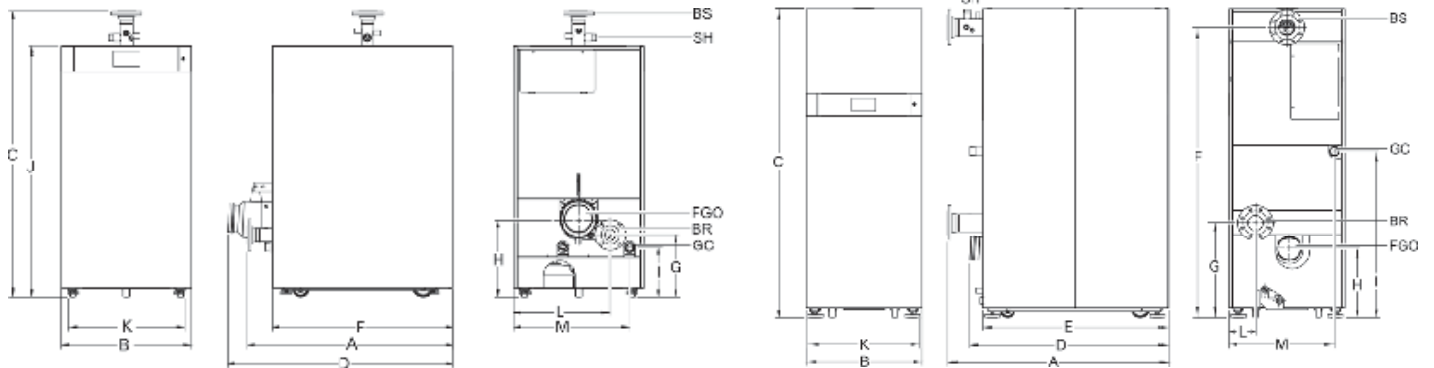
The Vitocrossal 200 CI2, integrates seamlessly with Viessmann One Base, Viessmann's complete digital solution platform featuring applications for contractors and homeowners. Visit us online to learn more.

# Technical Information

## VITOCROSSAL 200, CI2

CI2 399, 500, 750, 1000

CI2 1500, 2000



Model	CI2	399	500	750	1000	1500	2000
<b>Combustion Efficiency *1</b>	%	97	97	96.9	96.8	96.6	96.5
<b>Thermal Efficiency *1</b>	%	98	97.9	97.8	97.7	97.3	97
<b>Minimum Input (NG)</b>	MBH	50	50	75	100	50	100
<b>Maximum Input (NG)</b>	MBH	399	500	750	1000	1500	2000
<b>Output</b> (thermal efficiency)	MBH	391	490	734	977	1460	1940
<b>Overall Dimensions</b>							
Width	in.	29½	29½	29½	29½	29½	29½
	mm	750	750	750	750	750	750
Height	in.	64½	64½	64½	64½	78¾	78¾
	mm	1640	1640	1640	1640	1998	1998
Depth (Length)	in.	39	39	47¼	47¼	56¼	56¼
	mm	992	992	1200	1200	1428	1428
<b>Weight</b> (burner, control and insulation)	lbs.	789	789	963	963	1812	1969
	kg	358	358	437	437	822	894
<b>Boiler Water Content</b>	USG	29	29	50	50	113	99
	L	108	108	189	189	426	376
<b>Heat Exchanger Surface Area</b>	ft <sup>2</sup>	65.2	65.2	129.4	129.4	196.2	258.8
	m <sup>2</sup>	6.1	6.1	12	12	18.2	24
<b>Maximum Operating Pressure</b>	psig	80	80	80	80	80	80
	bar	5.5	5.5	5.5	5.5	5.5	5.5
<b>Maximum Operating Temperature</b>	°F	210	210	210	210	210	210
	°C	99	99	99	99	99	99
<b>Flue Outlet Size</b>	Ø in	4	4	6	6	6	8
	Ø mm	101.6	101.6	152.4	152.4	152.4	203.2

### LEGEND

- (A) Boiler depth including FGO
- (B) Overall width
- (C) Overall height
- (D) Depth (to boiler FGO)
- (E) Boiler depth (jacketing)
- (F) Height to centerline of BS (1500, 2000)
- (G) Height to centerline of BR
- (H) Height to centerline of boiler FGO
- (K) Width adjustable feet
- (L) Width to centerline of BR
- (M) Width to centerline of boiler GC
- (N) Height to centerline of boiler GC
- (O) Boiler height (jacketing 399, 500, 750, 1000)
- BR Boiler return
- BS Boiler supply
- FGO Flue gas outlet
- GC Gas connection
- SH Safety header

\*1 Tested to ANSI/AHRI Standard 1500 Performance Rating of Commercial Space Heating Boilers / DOE Test Procedure 81 FR89276 / U.S. Standards ANSI Z21.13 / CSA 4.9

