



DOMESTIC HOT WATER TANKS

Efficient and space saving indirect domestic hot water (DHW) tanks for heat pumps and boilers

**VITOCELL 100-V**



**Domestic hot water solution for heat pump systems**

Newest addition to the Vitocell family, designed for low temp heat pump applications

## DOMESTIC HOT WATER TANKS

▶ Vitocell 100-V – a highly efficient and space saving indirect hot water tank designed for Vitocal 100-AW heat pumps. ▶



The optional domestic indirect tanks come in three sizes, 53, 66 or 79 gallons.

Viessmann has developed new DHW indirect tanks (type CVWC) especially designed for pairing with the Vitocal air-to-water heat pump and system water buffer tank included with the Vitocal 100. The CVWC tanks may also be used in conjunction with boilers.

A unique feature is the modular design to meet different requirements in new build and modernization projects. This allows for the most efficient use of the installation area, which is often small in new buildings. Vitocell 100-E modular buffer tanks are conveniently designed to allow installation nested on top of Vitocell 100-V DHW tanks for maximum flexibility and space savings.

In modernization projects, manoeuvrability is often a challenge. The separate tank modules and integrated carrying handles on the DHW tanks facilitate easier transport that installers will appreciate.

### **DHW indirect tanks: three products to choose from**

The Vitocell 100-V DHW Indirect tank offers 53 USG (200L) or 66 USG (250L) and 79 USG (300L) volumes in a compact footprint. Ideal where a dedicated heat pump water heater is not sufficient or cannot be used due to size.

Compared to conventional DHW indirect tanks, the new Vitocell 100-V (type CVWC) has larger heat exchanger surfaces specifically designed to match the lower flow temperatures of heat pumps. A wear-free impressed current anode, in conjunction with the Ceraprotect™ enamel coating, guarantees permanently reliable corrosion protection.

### **System water buffer tank**

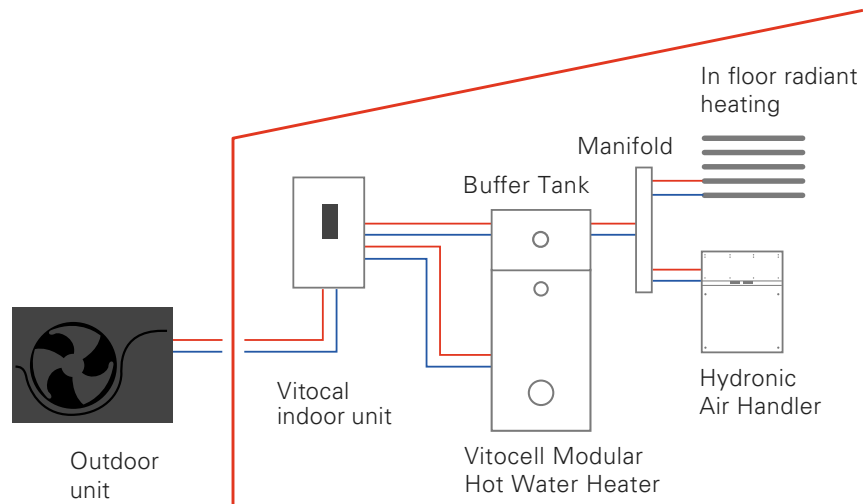
Included with the Vitocal 100-AW heat pump, the Vitocell 100-E system water buffer tank (type MSCA) comes with a capacity of 20 USG (75L) suitable for heating and cooling thanks to their diffusion-proof thermal insulation. A stratification mechanism meets the special operating conditions of heat pumps.

### **Combinations: three sizes to choose from**

Combinations of a DHW tank and system water buffer tank are available with Vitocell 100-V. Just select the size of the indirect tank while the buffer tank is already included with the Vitocal 100-AW heat pump. The modular buffer tank is placed on top of the indirect tank requiring an installation area of less than 6 ft<sup>2</sup> (0.5 m<sup>2</sup>). To allow easy implementation of the system-side connection, the system water buffer tank can be rotated 360°.

## VITOCELL 100-V

DHW INDIRECT TANK CAPACITY 53 USG, 66 USG AND 79 USG

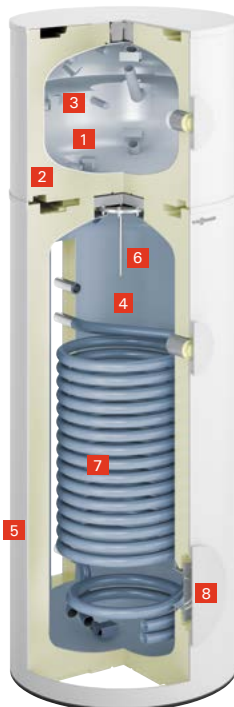


### PRODUCT FEATURES

- + DHW indirect tank designed for heat pumps (Vitocell 100-V, type CVWC)
- + Capacity: 53 USG (200 L), 66 USG (250 L), 79 USG (300L)
- + Integrated carrying handles
- + Wear-free impressed current anode
- + System water buffer tank included with Vitocal 100-AW heat pumps (Vitocell 100-E, type MSCA)
- + Capacity: 20 USG (75 L)
- + Can be rotated 360°
- + Nests on top of DHW indirect tank

### BENEFITS AT A GLANCE

- + Modular indirect hot water tank concept matched to Vitocal 100-AW heat pumps
- + System solution with heating water buffer tank, allows easy installation with 360° rotation
- + Different sizes – maximum flexibility
- + Supply DHW all day long with large heat exchanger surfaces
- + Wear-free, integrated impressed current anode protects against corrosion
- + Uniform design of tank and Vitocal 100-AW Indoor Unit
- + Modest space requirement 6 ft<sup>2</sup> (0.5 m<sup>2</sup>)
- + System buffer tank designed for heating and cooling



### VITOCCELL 100

Pairs with Vitocal 100-AW heat pump

- 1 Vitocell 100-E system water buffer tank, (type MSCA), 20 USG (75L)
- 2 All-round thermal insulation made of rigid polyurethane foam, diffusion-proof
- 3 Laminated metal sheet for efficient heat pump operation
- 4 Vitocell 100-V DHW tank, (type CVWC), made of steel with Ceraprotect™ enamel coating
- 5 All-round thermal insulation made of rigid polyurethane foam
- 6 Wear-free impressed current anode
- 7 Larger indirect coil optimized for use with heat pumps
- 8 Cleaning aperture

### Quality Guaranteed

Warranty information is available at

[www.viessmann-us.com/en/services/warranties.html](http://www.viessmann-us.com/en/services/warranties.html)

# Technical Information

## VITOCELL 100-V

Viessmann Manufacturing  
Company (US) Inc.  
Warwick, RI  
(800) 288-0667  
[viessmann-us.com](http://viessmann-us.com)  
A Carrier Company

<b>Vitocell 100-V CVWC</b>		<b>53 USG (200 L)</b>	<b>66 USG (250 L)</b>	<b>79 USG (300L)</b>
<b>DHW Indirect Tank Only Dimensional Data</b>				
Length Ø	in. (mm)	26-¼ (668)	26-¼ (668)	26-¼ (668)
Width	in. (mm)	28-¼ (714)	28-¼ (714)	28-¼ (714)
Height	in. (mm)	48-½ (1229)	56-½ (1430)	67" (1697mm)
<b>DHW Indirect Tank Only Weight</b>				
Weight	lbs (kg)	214 (97)	245 (111)	278 (126)
<b>Vitocell Modular 100-VE</b>		<b>With Vitocell 100-V CVWC</b>	<b>With Vitocell 100-V CVWC</b>	<b>With Vitocell 100-V CVWC</b>
<b>DHW and System Water Buffer Tank (combo)</b>				
Capacity	USG (L)	53 (200) + 20 (75)	66 (250) + 20 (75)	79 (300) + 20 (75)
<b>DHW and System Water Buffer Tank (combo) Dimensional Data</b>				
Length Ø	in. (mm)	26-¼ (668)	26-¼ (668)	26-¼ (668)
Width	in. (mm)	28-¼ (714)	28-¼ (714)	28-¼ (714)
Height	in. (mm)	68 (1728)	76 (1929)	86-½ (2196)
<b>DHW and System Water Buffer Tank (combo) Weight</b>				
Weight	lbs (kg)	324 (147)	355 (161)	388 (176)



Integrated carrying handles for easy manoeuvrability of the DHW tank



**Vitocell Modular 100-VE**  
Vitocell 100-E MSCA 20 Buffer Tank  
+  
Vitocell 100-V CVWC 53 Indirect Tank



**Vitocell Modular 100-VE**  
Vitocell 100-E MSCA 20 Buffer Tank  
+  
Vitocell 100-V CVWC 66 Indirect Tank



**Vitocell modular 100-VE**  
Vitocell 100-E MSCA 20 Buffer Tank  
+  
Vitocell 100-V CVWC 79 Indirect Tank

The CVWC tanks may be used in conjunction with boilers. The MSCA buffer tanks are only for use with the Vitocal 100-AW heat pumps.