

Technical Data Manual

Model Nos. and pricing : See Price List

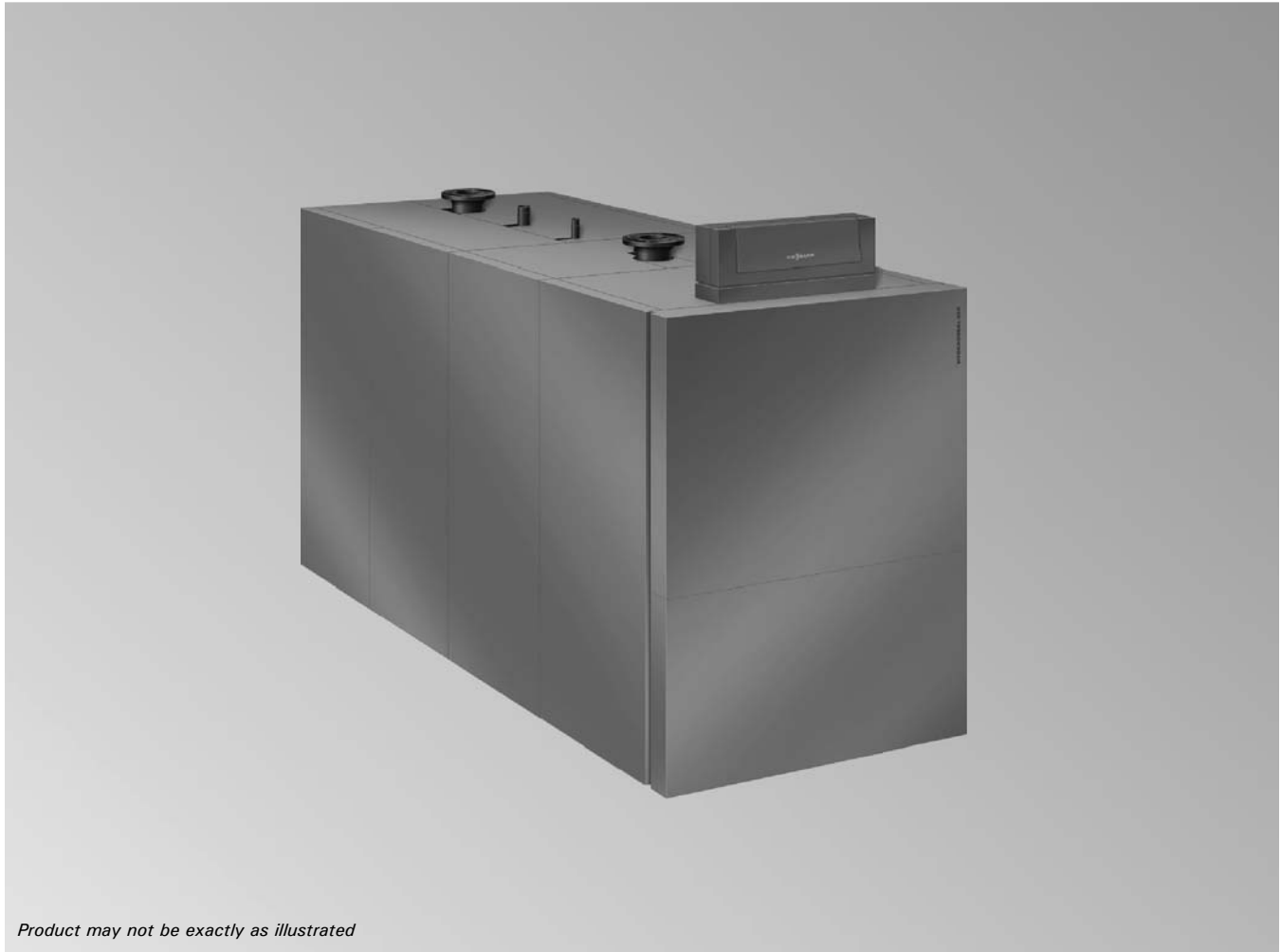
VIESSMANN®



VITOCROSSAL 200

Gas-fired Condensing Boiler

1445 to 2245 MBH (423 to 658 kW)



Product may not be exactly as illustrated

Vitocrossal 200

CM2 Series 400, 500, 620 and 620 TX

High efficiency, gas-fired condensing boiler with pre-mix modulating cylinder burner

for natural gas or liquid propane gas with Inox-Crossal heat exchanger made of high-grade SA 240-316 Ti stainless steel. For operation without low limit on boiler return water temperature.

For closed loop hot water heating systems with maximum supply water temperatures of 210°F (99°C) for a maximum operating pressure of 75 psig.

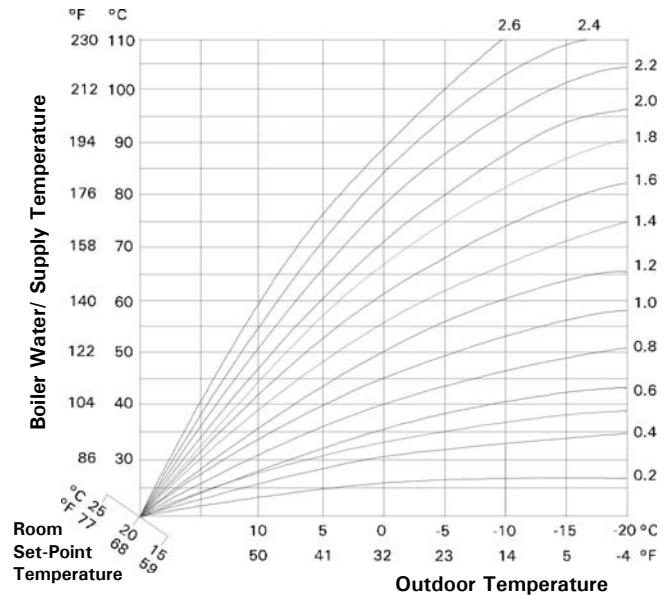
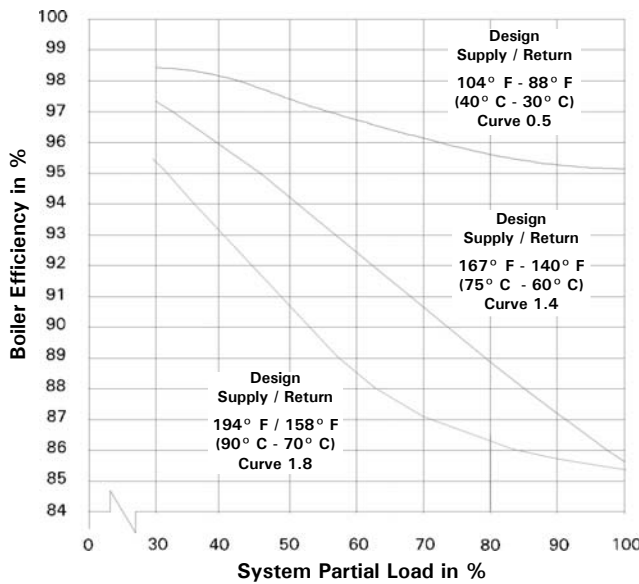
Heating input: 1445 to 2245 MBH
(423 to 658 kW)



Vitocrossal 200

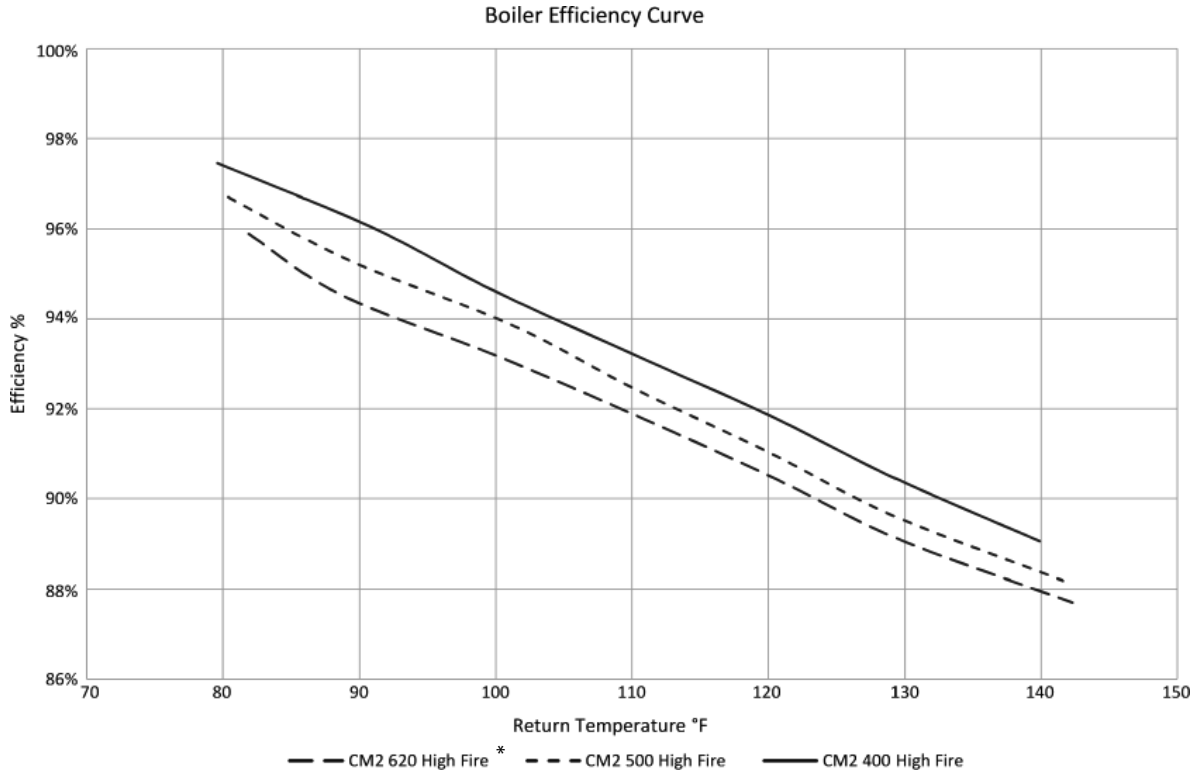
Benefits at a glance:

- Innox-Crossal heat exchanger surface made of high-grade SA 240-316 Ti stainless steel for high operational reliability and long service life.
 - Easy dispersal of condensate through vertical gas flues; therefore no concentration of condensate.
 - Increased self-cleaning effect through smooth stainless steel surfaces.
- Highly efficient heat transfer and high condensation rate through
 - highly turbulent flow of flue gas through the heat exchanger.
 - boiler water and hot gases flowing in counter flow.
- Efficiency up to 98% through intensive condensation. The flue gas temperature is only approximately 9-27°F (5-15°C) above boiler return temperature (see chart below).
- Clean combustion - through perfect match of burner and boiler, low combustion chamber loading and straight-through combustion chamber.
- Easy handling in boiler rooms through particularly low build height and weight.
- Easy installation and elimination of wiring mistakes with Viessmann pre-wired plug-in system.
- Heating boiler, heating system control, domestic hot water storage tank and all other Viessmann system technology components are coordinated to one another. All components are design-matched for quick installation.
- Pre-mix cylinder burner for environmentally-friendly operation with a modulation range from 20 to 100%.
- All hydronic connections can be fitted from above.
- Economical and safe heating system operation through Vitotronic digital control system with communication capability. Tailored to every need, covering all known control strategies and applications. Standard LON BUS for complete integration into building management systems.
- Particularly quiet operation.
- High altitude operation up to 10,000 ft. (3000 m) with a simple electronic adjustment.

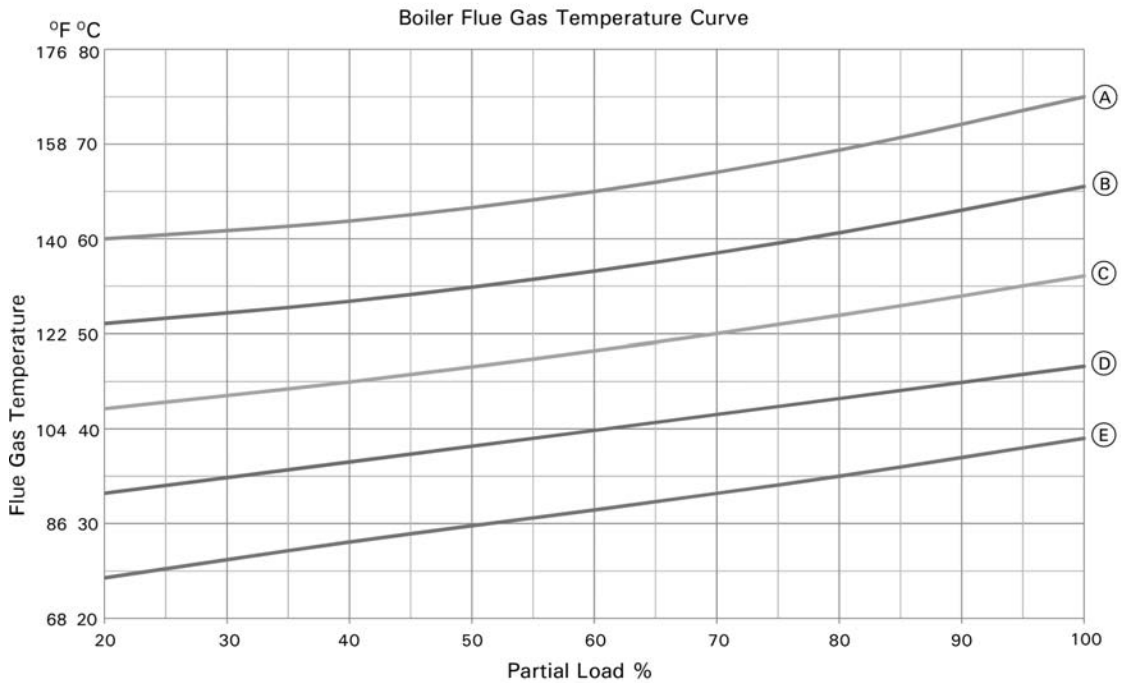


Vitocrossal 200 boiler efficiency dependent on system heating water return temperatures and load conditions

Vitocrossal 200



*CM2 - 620 TX will have an efficiency curve slightly higher than the CM2-620

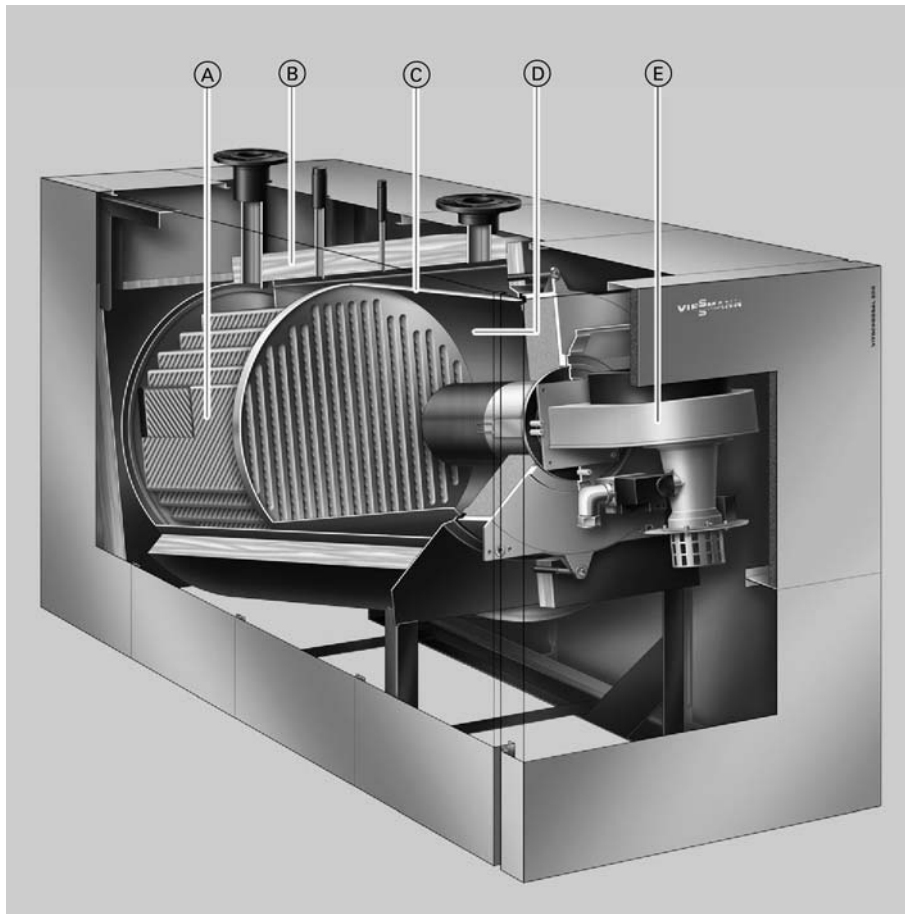


Flue gas temperature as a function of average partial load firings.

Legend

- (A) Supply/return temperature of 176/140°F (80/60°C)
- (B) Supply/return temperature of 158/122°F (70/50°C)
- (C) Supply/return temperature of 140/104°F (60/40°C)
- (D) Supply/return temperature of 122/86°F (50/30°C)
- (E) Supply/return temperature of 104/68°F (40/20°C)

5547.530 - 14

Cutaway Section**Legend**

- Ⓐ Stainless steel Inox-Crossal heat exchanger
- Ⓑ Highly effective thermal insulation
- Ⓒ Water-cooled stainless steel combustion chamber
- Ⓓ Wide water passageways - good natural circulation
- Ⓔ Modulating MatriX cylinder burner

Technical Data

Boiler Model	CM2	400	500	620	620 TX
Input	MBH (kW)	1445 (423)	1800 (527)	2245 (658)	1999*3 (585)
Minimum Input NG	MBH (kW)	287 (84)	358 (105)	450 (132)	450 (132)
Minimum Input LPG	MBH (kW)	351 (103)	440 (129)	545 (160)	545 (160)
Output	MBH (kW)	1372*1 (402)	1710*1 (501)	2132*1 (625)	1899*2 (556)
Net AHRI rating	MBH (kW)	1193 (350)	1487 (436)	1854 (543)	1651 (484)
Combustion efficiency	%	95.1*1	95.1*1	95.1*1	95.1*2
Thermal efficiency	%	95.0*1	95.0*1	95.0*1	95.0*2
Overall length(e)	in. (mm)	89½ (2273)	95⅝ (2429)	100⅞ (2562)	100⅞ (2562)
Overall width (c) (including insulation)	in. (mm)	42⅜ (1078)	42⅜ (1078)	44⅜ (1128)	44⅜ (1128)
Overall height (a) (including control unit)*4	in. (mm)	65⅝ (1666)	65⅝ (1666)	68¾ (1748)	68¾ (1748)
Concrete boiler base					
Length	in. (mm)	53½ (1360)	60 (1520)	65 (1650)	65 (1650)
Width	in. (mm)	42.5 (1245)	42.5 (1245)	44.5 (1295)	44.5 (1295)
Thickness	in. (mm)	4 (100)	4 (100)	4 (100)	4 (100)
Weight					
Boiler body	lb (Kg)	1136 (515)	1257 (570)	1488 (675)	1488 (675)
Complete with the burner, control and thermal insulation	lb (Kg)	1495 (678)	1662 (754)	1929 (875)	1929 (875)
NOx @ 3% O ₂		< 20 PPM *5			

*1 Tested to U.S. Standards ANSI Z21.13/CSA 4.9 and AHRI, BTS-2000 Testing Standard Method to determine the efficiency of Commercial Heating Boilers.

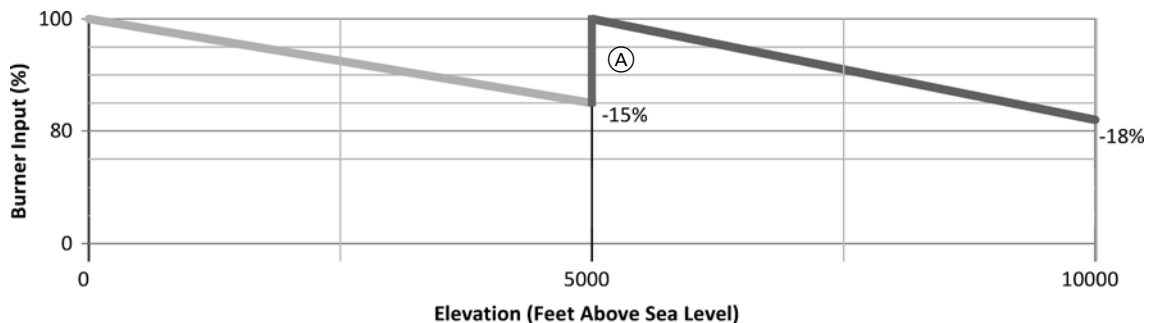
*2 Tested to U.S. Standards ANSI Z21.13/CSA 4.9.

*3 Boilers with this maximum input rating is only offered in the USA.

*4 Add 1½ in. (40 mm) when using seismic mounts (optional accessory).

*5 Optional low NOx certified by SCAQMD Natural Gas models available.

Note: For altitude operation up to 4,999 feet, derate the input capacity by 3%/1000 ft. For operation from 5,000 to 10,000 feet, with the electronic altitude adjustment made, derate the input capacity by an additional 0.6%/1000 ft. for a total derate of 18%.



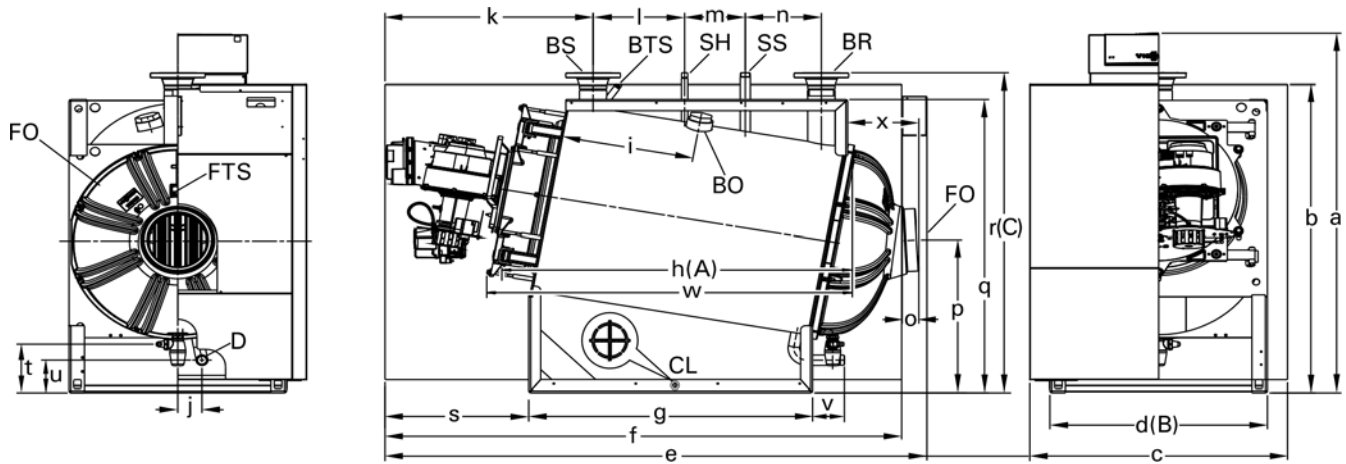
(A) Input capacity after electronic altitude adjustment is made.

Technical Data *(continued)*

Boiler Model	CM2	400	500	620	620 TX
Boiler Water Content	USG	104	112	131	131
	(L)	(395)	(425)	(495)	(495)
Heat exchanger surface	ft. ²	166.6	208.6	234	234
water cooled	(m ²)	(15.5)	(19.4)	(21.7)	(21.7)
Maximum Operating Temperature	°F (°C)	210 (99)	210 (99)	210 (99)	210 (99)
Maximum Adjustable High Limit	°F (°C)	203 (95)	203 (95)	203 (95)	203 (95)
Maximum Operating Pressure	psig	75	75	75	75
	(bar)	(5)	(5)	(5)	(5)
Boiler Connections					
Boiler supply and return (BS), (BR) (ANSI flanges)	in. (mm)	4 (100)	4 (100)	4 (100)	4 (100)
Safety Supply	in.	1¼	1¼	1¼	1¼
Boiler Drain	in.	1½	1½	1½	1½
Condensate Drain	in.	¾	¾	¾	¾
Vent pipe					
Internal Diameter	in. (mm)	10 (252)	10 (252)	10 (252)	10 (252)
Combustion air	in.	10	10	10	10
Internal Diameter*1	(mm)	(252)	(252)	(252)	(252)
Flue Gas Values					
temperature (at a return temperature of 86°F (30°C) at rated input	°F (°C)	113 (45)	113 (45)	113 (45)	113 (45)
at partial load	°F (°C)	86 (30)	86 (30)	86 (30)	86 (30)
Temperature (at a return temperature of 140°F (60°C) at rated input	°F (°C)	167 (75)	167 (75)	167 (75)	167 (75)
Mass flow rate (of flue gas) at rated input	lbs/h (kg/h)	1276 (579)	1587 (720)	1986 (901)	1767 (802)
at partial load	lbs/h (kg/h)	255 (116)	317 (144)	399 (181)	399 (181)
Max. condensate flow rate for NG and LPG	USG/h (L/h)	14.0 (53)	17.4 (66)	21.9 (83)	19.5 (74)
Pressure					
at boiler flue outlet at rated input	pa "w.c.	70 0.28	70 0.28	70 0.28	70 0.28
Standby loss					
at maximum input and steady state condition 180°F/80°F (82°C/27°C) supply and return water temperature	BTU/h (W) %	1878 (550) 0.13	2520 (738) 0.14	3367 (986) 0.15	3000 (879) 0.15
At boiler water temperature 158°F (70°C) [room temperature 68°F (20°C)]	BTU/h (W) %	4335 (1270) 0.3	5400 (1580) 0.3	6735 (1973) 0.3	6000 (1758) 0.3

*1 Combustion air diameter maybe reduced to 8 in. (200 mm) to achieve maximum equivalent length of 198 ft. (60 m)

Dimensions



Legend

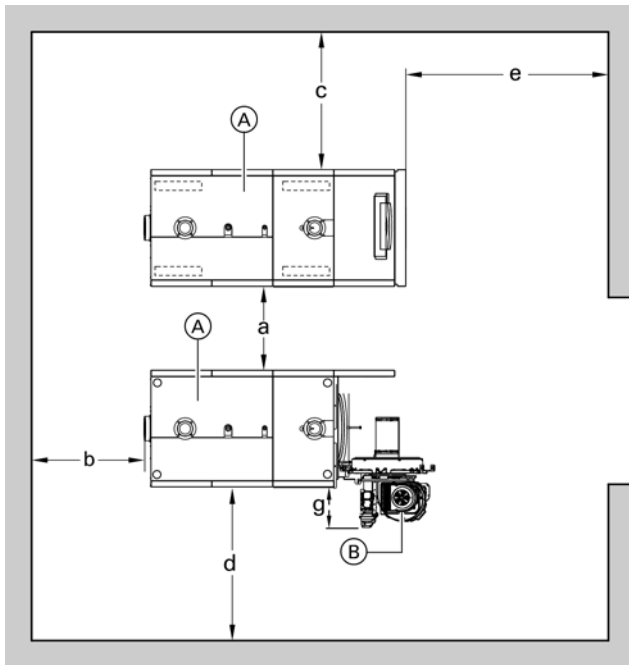
- A Boiler Length
- B Boiler Width
- C Boiler Height
- FO Flue outlet
- BO Boiler Inspection Opening
- D Drain
- CD Condensate drain
- BTS Boiler water temperature sensor
- CL Centerline of weight distribution (along the length of the pressure vessel only)
- BR Boiler return
- BS Boiler supply
- SH Female connection R¹/₂ for additional control equipment (e.g. fitting assembly with minimum and maximum pressure switch)
- SS safety supply (safety valve)
- FTS Flue gas temperature sensor

Dimensions

Model CM2		400	500	620	620 TX
a*	in. (mm)	65 ⁵ / ₈ (1666)	65 ⁵ / ₈ (1666)	68 ³ / ₄ (1748)	68 ³ / ₄ (1748)
b*	in. (mm)	56 ¹ / ₄ (1428)	56 ¹ / ₄ (1428)	59 ¹ / ₂ (1511)	59 ¹ / ₂ (1511)
c	in. (mm)	42 ³ / ₈ (1078)	42 ³ / ₈ (1078)	44 ³ / ₈ (1128)	44 ³ / ₈ (1128)
d = B	in. (mm)	35 ³ / ₄ (910)	35 ³ / ₄ (910)	37 ³ / ₄ (960)	37 ³ / ₄ (960)
e	in. (mm)	89 ¹ / ₂ (2273)	95 ⁵ / ₈ (2429)	100 ⁷ / ₈ (2562)	100 ⁷ / ₈ (2562)
f	in. (mm)	85 ¹ / ₄ (2163)	85 ¹ / ₄ (2319)	96 ³ / ₄ (2455)	96 ³ / ₄ (2455)
g	in. (mm)	46 ³ / ₄ (1187)	52 ⁷ / ₈ (1343)	58 ¹ / ₄ (1477)	58 ¹ / ₄ (1477)
h = A	in. (mm)	59 (1497)	65 (1650)	70 ³ / ₈ (1787)	70 ³ / ₈ (1787)
i	in. (mm)	21 ⁷ / ₈ (555)	28 ³ / ₄ (713)	33 ¹ / ₂ (851)	33 ¹ / ₂ (851)
j = BO	in. (mm)	4 (101)	4 (101)	4 (101)	4 (101)
k	in. (mm)	34 ¹ / ₄ (870)	34 ¹ / ₄ (870)	34 ⁵ / ₈ (879)	34 ⁵ / ₈ (879)
l	in. (mm)	15 ¹ / ₈ (383)	17 ¹ / ₈ (435)	18 ⁷ / ₈ (480)	18 ⁷ / ₈ (480)
m	in. (mm)	10 (254)	12 ¹ / ₈ (308)	13 ³ / ₄ (351)	13 ³ / ₄ (351)
n	in. (mm)	12 ¹ / ₂ (318)	14 ⁵ / ₈ (370)	16 ³ / ₈ (415)	16 ³ / ₈ (415)
o	in. (mm)	2 ³ / ₄ (70)	2 ³ / ₄ (70)	2 ⁵ / ₈ (67)	2 ⁵ / ₈ (67)
p*	in. (mm)	27 ⁷ / ₈ (708)	27 ⁷ / ₈ (708)	29 (736)	29 (736)
q*	in. (mm)	53 ¹ / ₂ (1360)	54 ⁵ / ₈ (1387)	57 ¹ / ₂ (1460)	57 ¹ / ₂ (1460)
r = C*	in. (mm)	58 ³ / ₈ (1482)	59 ³ / ₈ (1509)	62 ¹ / ₄ (1582)	62 ¹ / ₄ (1582)
s	in. (mm)	23 ³ / ₄ (601)	23 ³ / ₄ (601)	23 ³ / ₄ (601)	23 ³ / ₄ (601)
t*	in. (mm)	9 (229)	9 (229)	9 (229)	9 (229)
u*	in. (mm)	5 ⁷ / ₈ (149)	5 ⁷ / ₈ (149)	5 ⁷ / ₈ (149)	5 ⁷ / ₈ (149)
v	in. (mm)	5 ¹ / ₄ (133)	5 ¹ / ₄ (133)	5 ¹ / ₄ (133)	5 ¹ / ₄ (133)
w	in. (mm)	59 ³ / ₄ (1510)	65 ⁵ / ₈ (1666)	71 (1802)	71 (1802)
x	in. (mm)	11 ¹ / ₂ (293)	11 ¹ / ₂ (293)	11 ¹ / ₄ (285)	11 ¹ / ₄ (285)

* Add 1% in. (40 mm) when using seismic mounts (optional accessory).

Recommended Minimum Service Clearances



Legend

- (A) Boiler
- (B) Burner

*1 Clearance may be reduced to zero in multi-boiler installations, provided the side panel removal is not required.

Note: The burner, boiler control, condensate trap, venting and heat exchanger are still fully accessible from the front and rear of the boiler.

*2 Clearance for vent pipe installation.

To enable convenient installation and maintenance, observe the stated clearance dimensions. Maintain the minimum clearances where space is tight.

In the delivered condition, the boiler door hinge bracket is factory installed on the left side of the door. If required, the boiler door hinge bracket can be reinstalled on the right side of the door.

CM2	400	500	620/620 TX
a *1 in. (mm)	20 (500)	20 (500)	20 (500)
b *2 in. (mm)	30 (760)	30 (760)	30 (760)
c in. (mm)	20 (500)	20 (500)	20 (500)
d in. (mm)	20 (500)	20 (500)	20 (500)
e in. (mm)	24 (600)	24 (600)	24 (600)
f in. (mm)	11 (280)	11 (280)	11 (280)
g in. (mm)	15½ (395)	15½ (395)	15½ (395)

Mechanical room

- Avoid air contamination by halogenated hydrocarbons (e.g. as in sprays, paints, solvents and cleaning agents)
- Avoid very dusty conditions
- Avoid high levels of humidity
- Protect against frost and ensure good ventilation, otherwise the system may suffer faults and damage. In rooms where air contamination from halogenated hydrocarbons is to be expected, operate the boiler only in balanced flue mode.

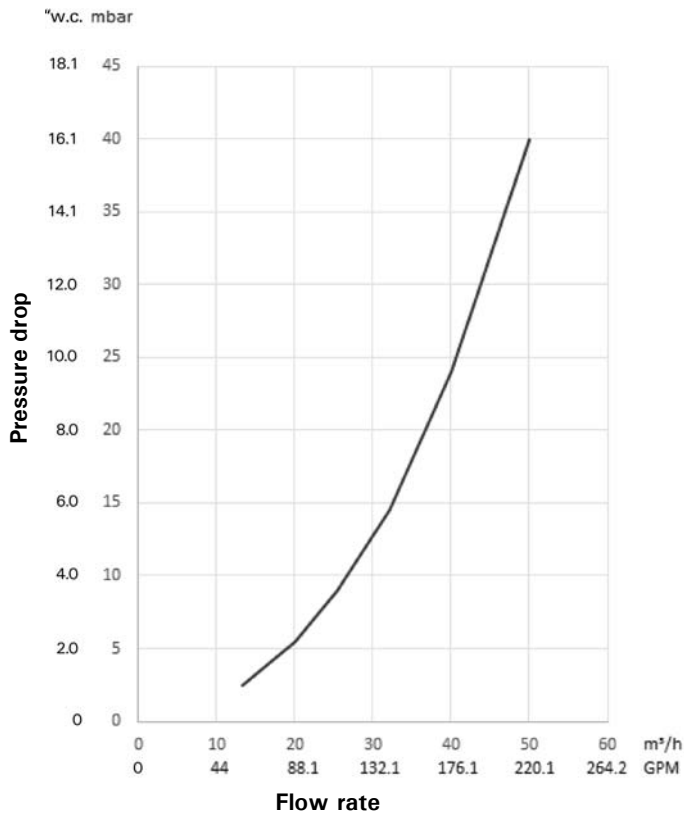
Minimum clearances to combustibles

Boiler model CM2	400	500	620	620 TX
Top	0			
Sides	0			
Flue	As per vent manufacturer's specifications			
Front	0			
Floor	combustible			

Flow Rate

Pressure drop (primary circuit)

The Vitocrossal 200 is only suitable for fully pumped hot water heating systems.



Recommended Flow Rates CM2

Boiler model		400	500	620	620 TX
20°F Δt	GPM	137.2	171.0	213.2	198.9
40°F Δt	GPM	68.6	85.5	106.6	95.0
11°C Δt	m³/h	31.1	38.8	48.4	43.2
22°C Δt	m³/h	15.5	19.4	24.2	21.6

Δt = temperature difference

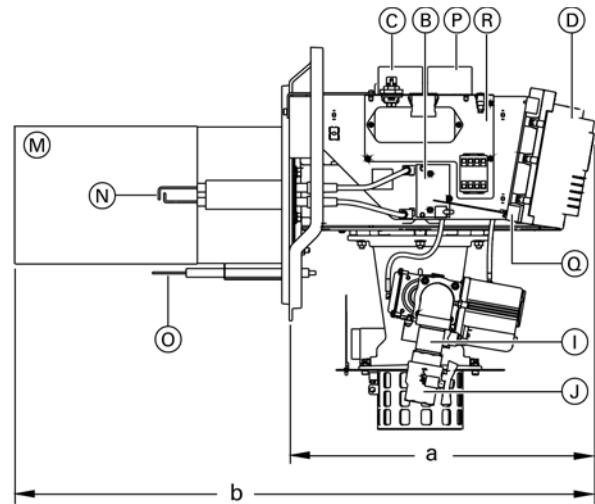
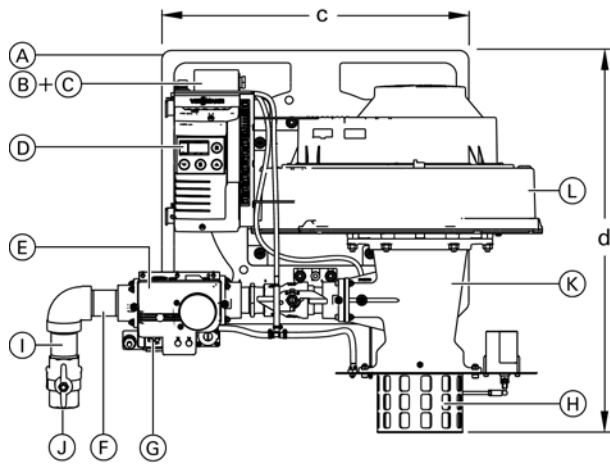
This boiler does not require a flow switch.

Cylinder Burner

Specifications		400	500	620	620 TX
Boiler Model CM2					
Voltage	V	120	120	120	120
Frequency	Hz	60	60	60	60
Power consumption NG					
at max. input	W	540	700	900	801
at min. input	W	54	60	60	60
Power consumption LPG					
at max. input	W	467	590	700	623
at min. input	W	59	68	60	60
Version		modulating			
Dimensions					
Length (overall)	in. (mm)	39 (990)	39 (990))	42 (1070)	42 (1070)
Width	in. (mm)	22 ¹ / ₄ (565)	24 ³ / ₈ (620)	24 ³ / ₈ (620)	24 ³ / ₈ (620)
Height	in. (mm)	21 ¹ / ₄ (540)	20 (525)	24 ¹ / ₂ (622)	24 ¹ / ₂ (622)
Weight					
Burner	lb. (kg)	75 (34)	90 (41)	93 (42)	93 (42)
Min. gas supply pressure					
Natural gas	"w.c.	4	4	4	4
Liquid propane gas	"w.c.	10	10	10	10
Max. gas supply pressure					
Natural gas	"w.c.	14	14	14	14
Liquid propane gas	"w.c.	14	14	14	14
Gas connection	NPT	1 ¹ / ₄	1 ¹ / ₄	1 ¹ / ₄	1 ¹ / ₄

Cylinder Radiant Burner *(continued)*

CM2 pre-mix cylinder burner 400/500/620/620 TX



Legend

- (A) Burner frame
- (B) Air pressure switch 1
- (C) Air pressure switch 2
- (D) Display and programming unit
- (E) Gas valve
- (F) Gas supply pipe
- (G) Gas pressure switch
- (H) Rotary damper with servomotor (400, 620 and 620 TX only)
- (I) Gas pipe
- (J) Manual shut-off valve
- (K) Venturi mixing pipe
- (L) Gas fan
- (M) Burner gauze assembly
- (N) Ignition electrodes
- (O) Ionization electrode
- (P) Ignition unit
- (Q) Burner control unit
- (R) Mains filter unit with contactor

CM2 Boiler model		400	500	620	620 TX
a	in. (mm)	20 (506)	20 (506)	20 (506)	20 (506)
b	in. (mm)	39 (990)	39 (990)	42 (1070)	42 (1070)
c	in. (mm)	22 ¹ / ₄ (565)	24 ³ / ₈ (620)	24 ³ / ₈ (620)	24 ³ / ₈ (620)
d	in. (mm)	21 ¹ / ₄ (540)	20 ⁵ / ₈ (525)	24 ¹ / ₂ (622)	24 ¹ / ₂ (622)

Standard Equipment

Boiler body with fitted mating ANSI flanges and gaskets to all connectors and fitted protective crate, plus flue gas collector collar.

CM2 Boiler model	400	500	620	620 TX
Thermal insulation	2	2	2	2
Cylinder burner	1	1	1	1
Boiler control unit (see boiler control alternatives below)	1	1	1	1
Boiler coding card	1	1	1	1
Technical documentation	2	2	2	2
Combustion air intake kit	1	1	1	1
Junction box	1	1	1	1

Installation fittings for standard equipment includes:

- low water cut-off
- safety header (c/w 75 psig pressure relief valve, air vent and pressure gage)
- drain valve
- product documentation
- combustion air intake kit
- NG to LPG conversion kit

Boiler Accessories

- Motorized flue gas damper (for cascade venting system)



Refer to the common venting flue vent damper Installation Instructions.

Boiler Control Alternatives

For single boiler systems

Vitotronic 300 (type GW6B) Single Boiler Operating Mode
Outdoor reset control for stand alone operation, for modulating water temperature and mixing valve control for a maximum of 2 heating circuits with mixing valve and additional Vitotronic 200-H, type HK1B for 1 or 3 additional heating circuits with mixing valve.

For single-boiler or multiple-boiler installations

Custom control panels for residential or commercial applications are designed and manufactured by Viessmann to suit any customer's specific requirements. Custom control panels can integrate features such as pool heating, hot tub heating, snow melting, telephone tie-in, integration with Building Management Systems, as well as several other functions. Please inquire.

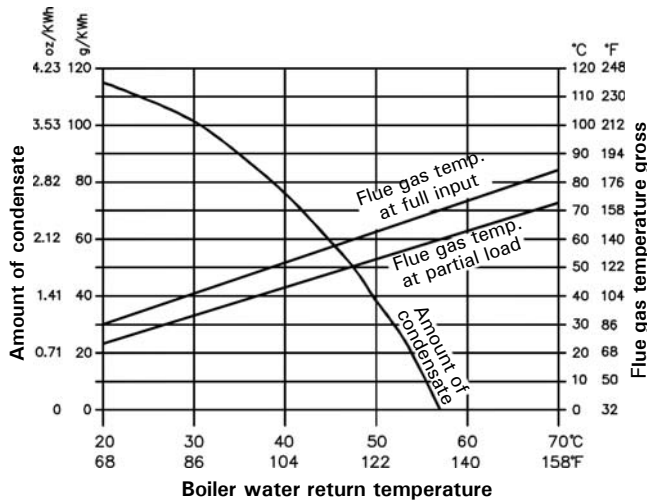
For multi boiler systems (up to 8 boilers CM2 boilers)

Vitotronic 300 (type GW6B) Lead boiler + Cascade Operating mode

Outdoor reset control for cascade operation in conjunction with a Vitotronic 300 GW6B operating in lag boiler mode, with mixing valve control for a maximum of 2 heating circuits with mixing valve and additional Vitotronic 200-H, type HK1B for 1 or 3 additional heating circuits with mixing valve.

Vitotronic 300 (type GW6B) Lag boiler Operating mode for modulating boiler water temperature in conjunction with a Vitotronic 300 GW6B operating in lead boiler + cascade mode.

System Design Considerations



Note: The ‘amount of condensate’ and the ‘flue gas temperature gross’ graphs are independent of each other.

Condensate and its disposal

During the operation of the boiler, the amount of condensate to be expected can be read from the above diagram.

The values given are approximate amounts occurring under practical conditions. Not included in the diagram is the amount of condensate occurring in the vent pipe and chimney system. The condensate from the chimney system can be collected together with the condensate from the heating boiler and be disposed of into a floor drain. The condensate will be between 3 and 4 on the pH scale. If local building requirements demand neutralizing the condensate before disposal, contact Viessmann Manufacturing Company Inc. for a correctly sized neutralization tank. The treated condensate will show pH values of between 6.5 and 9 and can then be disposed of into the waste water system.

Design notes regarding draining condensate

The condensate drain to the sewer connection must be able to be inspected.

Route it with a gradient and equip the pipe with a P-trap; also provide suitable facilities for taking samples.

The bottom drain should be located below the anti-flooding level of the flue gas collector box.

Condensate drains must only be made from corrosion resistant materials (e.g. fibre reinforced hoses). Never use any galvanized materials or those containing copper or black iron for pipes, connectors, etc.

Install a P-trap in the condensate drain to prevent flue gases from escaping.

Ensure that the domestic drainage systems are made from materials which are resistant to acidic condensate such as:

- Stoneware pipes
- Hard PVC pipes
- PVC pipes
- PE-HD pipes
- PP(s) pipes
- ABS/ASA pipes
- Stainless steel pipes
- Borosilicate pipes

Burner adjustment

Matrix cylinder burner tested at operating temperature and adjusted in the factory.

Venting options

PP(s) (Polypropylene) flue gas/fresh air system for room air independent operation (sealed combustion), and PP(s) flue gas for room air dependent operation are tested to ANSI Z21.13 - CSA 4.9 - 2000 standards and are certified together with the Vitocrossal 200 boiler as a constructional unit.

The Vitocrossal 200 boiler may also be vented using an special stainless steel, single-wall, (UL listed for category IV).

The boiler may be vented horizontally through the side wall or vertically through the roof.

For a more detailed description of the direct vent and single-wall vent system, please refer to the Vitocrossal 200 Installation Instructions venting section.

System Design Considerations *(continued)*

Use ULC S-636 / UL 1738 certified venting systems for category IV boilers. The following vent system suppliers may be contacted for assistance in designing the appropriate stainless steel venting system for Vitocrossal 200 CM2 boilers.

For sealed combustion systems that are vertically vented, a Viessmann vacuum relief damper may be needed to protect the vent system against vacuum conditions. This very rare occurrence can happen when a boiler is firing at maximum capacity and the burner cycle is suddenly interrupted. (ie. power failure) For more information on this device, or questions specific to your application, please consult with the vacuum relief damper installation instructions or contact your local Viessmann representative.

M&G / Duravent www.duravent.com	ICC - Industrial Chimney Co. www.icc-rsf.com
Selkirk Canada Corporation www.selkirkchimney.com	Z-Fex U.S. Inc www.z-flex.com
Jeremias Inc. www.jeremiasinc.com	Van-Packer Co. Inc. www.vpstack.com
Security Chimneys International Ltd. www.securitychimneys.com	Energex Inc. (formerly Exhausto) www.energex.com
Metal-Fab Inc. www.mtlfab.com	

System layout

The boiler max. water temperature limit is factory set to 203°F (95°C).

To minimize piping losses of the system, however, Viessmann recommends that the radiation and domestic hot water production in the system be designed for a 158°F (70°C) boiler supply water temperature.

Combustion air supply

The boiler must not be located in areas or rooms where chemicals containing chlorine, bromine, fluorine, or other corrosive chemicals are stored. Examples include bleach, refrigerants, paint, paint thinner, hair spray, cleaning solvents, water softener salt, etc. The combustion air must not be contaminated with any amount of the above mentioned chemicals.

Boiler should never be installed in areas where excessive dust, high humidity, or risk of frost exist. Ensure adequate ventilation and supply of fresh combustion air.

Boiler operation in marine environments (damp, salty coastal areas):

The service life of the boiler’s exposed metallic surfaces, such as the casing and fan housing, is directly influenced by proximity to damp and salty marine environments. In such areas, higher concentration levels of chlorides from sea spray, coupled with relative humidity, can lead to degradation of the exposed metallic surfaces mentioned above. Therefore, it is imperative that boilers installed in such environments not be installed using direct vent systems which draw outdoor air for combustion. Such boilers must be installed using room air dependent vent systems; i.e. using room air for combustion. The indoor air will have a much lower relative humidity and, hence, the corrosion will be minimized.

Consult your local Viessmann sales representative with uncertainties in regard to a suitable boiler installation location.

This boiler/burner unit needs clean fresh air for safe operation. Provisions for combustion and ventilation air must be made at time of installation. For gas or propane installations, use the “Natural Gas Installation Code CAN/CSA-B149.1 or B149.2” (Canada), or “National Fuel Gas Code ANSI Z223.1” (USA), and/or provisions of local codes.

The sizing methods outlined in the aforementioned codes should be used when installing a round duct to supply combustion air from the outside.

Warranty

Our warranty does not cover damages resulting from the following:

- Operation with contaminated fill and supplementary feed water
- Operation with contaminated combustion air
- Exposing the boiler to pressures and temperatures higher than its certified rating

See warranty sheet for details.

System Design Considerations *(continued)*

Water quality

Treatment for boiler feed water should be considered in areas with known problems, such as where a high mineral content and hardness exist. In areas where freezing might occur, it recommended that an antifreeze be added to the system water for protection against freezing. Please adhere to the specifications given by the antifreeze manufacturer. Do not use automotive silicate-based antifreeze. Please observe that an antifreeze/water mixture may require a back flow preventer within the automatic water feed and influence components such as diaphragm expansion tanks, radiation, etc. A 40% antifreeze content will provide freeze-up protection to -10°F (-23°C). Do not exceed 50% antifreeze mix ratio and do not use antifreeze other than specifically made for hot water heating systems.

Total output (MBH)	Total Hardness (ppm as ca CO ₃)
> 1 Total ≤ 680	≤ 200
> 680 to ≤ 2050	≤ 150
> 2050	≤ 2

The pH value of the heating water should be between 8.2 and 9.5

Oxygen diffusion barrier under floor tubing

The boiler warranty does not cover pressure vessel failure resulting from corrosion caused by the use of underfloor plastic tubing without an oxygen diffusion barrier. Such systems without oxygen diffusion barrier must have the tubing separated from the boiler with a heat exchanger. Viessmann always recommends the use of underfloor plastic tubing with an oxygen diffusion barrier.

Boiler/burner start-up

Vitocrossal 200, CM2 boilers with Viessmann cylinder burners does not require start-up by Viessmann.

Sound attenuation

Please consult a professional engineer who is specialized in noise attenuation for advice.

The burner/boiler systems, circulation pumps and other auxiliary equipment used in heating systems generate noise.

This noise is transferred from the boiler room via floorboards, ceiling and walls to neighboring rooms and via the flue gas system as well as the ventilation air and exhaust air apertures into other rooms and into the open, where they may cause a nuisance.

To avoid this from happening, additional protective measures may be required which should be considered at the design stage.

Subsequent measures to reduce noise nuisance frequently require extensive effort and expenditure.

Airborne noise attenuation

Frequently, modern boilers are equipped with silencer hoods or sound insulated ventilation air inlet housings.

For larger systems, it may be necessary to route the ventilation air through a sound-insulated channel, in order to avoid a noise nuisance outside the building.

Flue gas silencers are generally only required where higher noise protection measures are called for. Whether or not a flue gas silencer is required can be predicted only with some difficulties, because of the complexity of the creation and propagation of flame noise, the interaction between the burner, boiler and the flue gas system as well as the operating mode (flue gas system operating with positive or negative pressure).

It is advisable, therefore, to assess the noise emission into the neighborhood and to consider the sound pressure level measured at the flue gas system outlet. It should be considered at the planning stage whether silencers might become necessary later.

In planning for its possible use, it is important that sufficient space for the flue gas silencer is available behind the boiler. Good engineering practice mandates that the exhaust pressure drop of the silencer be included in the vent size calculation.

Anti-vibration measures

Anti-vibration supports can be field supplied as an economical and effective solution to combat noise generated.

When sizing such supports, take the entire operating weight of the boiler system and, when using longitudinal anti-vibration brackets, the condition of the supporting surface into consideration.

Effective anti-vibration measures are particularly important when installing boilers into an attic. Flexible couplings may be used to physically separate the combustion equipment from the building.

These should be installed into the boiler flow, return and safety pipe and as near as possible to the boiler. Also insulate any braces or hanging arrangements, if installed, against sound/vibration transmission to the building.

Quick Reference

°C	°F
-40	-40
-35	-31
-25	-13
-20	-4
-18	0
-16	+3
-14	+7
-12	+10
-10	+14
-9	+16
-8	+18
-7	+19
-6	+21
-5	+23
-4	+25
-3	+27
-2	+28
-1	+30
0	+32
+1	+34
+2	+36
+3	+37
+4	+39
+5	+41
+6	+43
+7	+45
+8	+46
+9	+48
+10	+50
+12	+54
+14	+57
+16	+61
+18	+64
+20	+68
+25	+77
+30	+86
+35	+95
+40	+104
+50	+122
+60	+140
+70	+158
+80	+176
+90	+194
+100	+212
+110	+230

Viessmann Manufacturing Company Inc.
 750 McMurray Road
 Waterloo, Ontario • N2V 2G5 • Canada
TechInfo Line 1-888-484-8643
 1-800-387-7373 • Fax (519) 885-0887
 www.viessmann.ca • info@viessmann.ca

Viessmann Manufacturing Company (U.S.) Inc.
 45 Access Road
 Warwick, Rhode Island • 02886 • USA
TechInfo Line 1-888-484-8643
 1-800-288-0667 • Fax (401) 732-0590
 www.viessmann-us.com • info@viessmann-us.com

Printed on environmentally friendly
 (recycled and recyclable) paper.



Technical information subject to change without notice.